

HDJ-CUE1BT-K / HDJ-CUE1BT-W / HDJ-CUE1BT-R

DJ Headphones with **Bluetooth®** functionality
Casque DJ avec fonction **Bluetooth®**
DJ-Kopfhörer mit **Bluetooth®**-Funktion
Cuffie per DJ con funzionalità **Bluetooth®**
DJ-koptelefoon met **Bluetooth®**-functie
Auriculares para DJ con funcionalidad **Bluetooth®**
Headphones DJ com funcionalidade **Bluetooth®**
Наушники для ди-джеев с поддержкой **Bluetooth®**
带蓝牙®功能的DJ耳机
有**Bluetooth®**功能的DJ耳機
Bluetooth®機能搭載DJヘッドホン

Instruction manual
Mode d'emploi
Bedienungsanleitung
Manuale di istruzioni
Gebruikershandleiding
Manual de instrucciones
Manual de instruções
Инструкция по эксплуатации
使用说明书
操作手冊
取扱説明書

保留备用
使用产品前请阅读使用说明

pioneerdj.com/support/

For FAQs and other support information for this product, visit the above site.

Pour les FAQ et autres informations de support sur ce produit, consultez le site ci-dessus.

Häufig gestellte Fragen und weitere Support-Informationen für dieses Produkt finden Sie auf der oben genannten Seite.

Per la sezione FAQ e altre informazioni di supporto per questo prodotto, visitare il sito indicato sopra.

Bezoek de bovenstaande website voor vaak gestelde vragen en andere informatie over ondersteuning voor dit product.

Para consultar las preguntas más frecuentes y otras informaciones de asistencia para este producto, visite el sitio indicado anteriormente.

Para obter informações sobre as FAQs e outras informações de apoio relativas a este produto, consulte o site indicado acima.

Ответы на часто задаваемые вопросы и другую дополнительную информацию о данном изделии см. на указанном выше сайте.

关于此产品的常见问题和其他支持信息，请访问以上网站。

如需本產品的FAQ與其他支援資訊，請造訪以上網站。

上記のサイトで、本製品のFAQなどのサポート情報をご覧ください。



AlphaTheta Corporation

6F, Yokohama i-Mark Place, 4-4-5 Minatomirai, Nishi-ku, Yokohama, Kanagawa 220-0012 JAPAN

AlphaTheta株式会社

〒220-0012 神奈川県横浜市西区みなとみらい4丁目4番5号 横浜アイマークプレイス6階

Корпорация АльфаТета

6F, Йокогама i-Марк Плаце, 4-4-5 Минатомирай, Ниси-ку, Йокогама, Канагава 220-0012 ЯПОНИЯ

AlphaTheta EMEA Limited

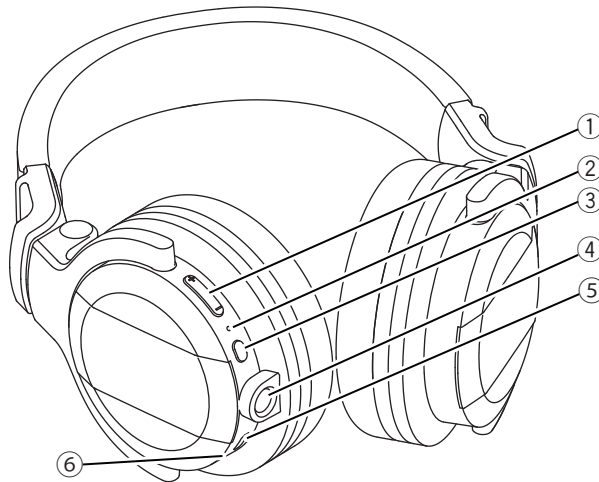
Artemis Building, Odyssey Business Park, West End Road, South Ruislip, Middlesex, HA4 6QE, U.K. TEL: +44-203-7617-220

AlphaTheta Music Americas, Inc.

2050 W. 190th Street, Suite 109, Torrance, CA 90504, U.S.A. TEL: +1 (424) 488-0480

Operating methods

Part names



1. **Volume buttons**

2. **LED**

Blinks specific sequences and colors to provide notification of device status.

3. **Multifunction button**

Power (switches the device off and on)

Pairing

Play/Pause/Rewind/Forward

Call

4. **Coiled cable connector**

Connect the supplied coiled cable.

5. **Charging terminal**

Connect the supplied USB charging cable to charge.

6. **Microphone**

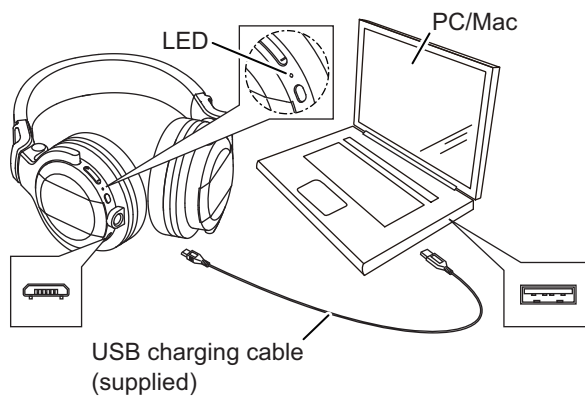
- Product illustrations may differ from the actual product.

How to charge the headphones

After purchasing, please charge before use.

1 Connect the headphones to a PC/Mac with the supplied USB charging cable.

- The red LED lights.
- The red LED lights while charging and turns off when charging is complete.
- Fully charging from an empty state takes approximately 2.5 hours.



Notes

- During charging, *Bluetooth* devices cannot be connected.
- The recommended charging temperature range is 10°C to 35°C.
- If a connection is established while the power is on, the power turns off automatically.
- The headphones cannot be turned on during charging.
- Do not use any cable other than the supplied USB charging cable.
- The headphones may not be charged in some cases when the PC/Mac is in standby or sleep modes.

Cautions regarding the USB charging cable

- Do not use connectors on which the terminal section has been twisted.
- When connecting the connector, check the connection direction and insert it directly.
- Do not allow fluids (sweat or drinking water) or foreign matter (small items of refuse or dust, metal, etc.) to adhere to the connector section.

Turning the power on/off

Turning the power on

- 1 Press the multifunction button for approximately three seconds.

Turning the power off

- 1 Press the multifunction button for approximately three seconds while the power is on.

Connecting via *Bluetooth*

Preparations

- Bring the *Bluetooth* device within approximately 1 m of the headphones
- If necessary, read the user's manual of the device that you are trying to connect in order to confirm how to use it

Pair (register) the headphones with the *Bluetooth* device and connect them

1 With the power turned off, press and hold the multifunction button on the headphones until the LED blinks.

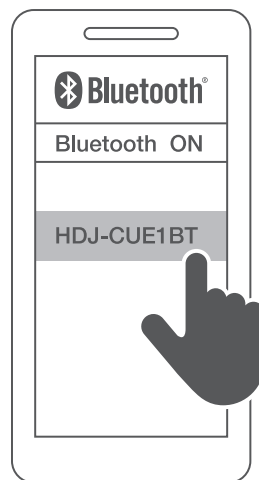
When connecting a device for the first time: Approx. 3 seconds

When connecting the second or subsequent device: Approx. 5 seconds

- The headphones begin searching for the *Bluetooth* device to connect to, and the LED blinks red and white alternately.

2 Turn on the *Bluetooth* device and activate it.

3 From the *Bluetooth* menu on the *Bluetooth* device, select the device name “HDJ-CUE1BT”.



- In some cases the MAC address “□□□□□□” (where “□” is a specific character string that differs for each device) appears before “HDJ-CUE1BT” is displayed.
- If a passkey entry is requested, enter the passkey of the headphones “0000” (four zeros).

4 On the headphones, check the connection to the paired *Bluetooth* device.

- The LED blinks red and white alternately until connection with the device is complete.
- When the white LED lights, pairing is complete.

Notes

- The headphones power will turn off if connection to the device does not complete within five minutes. If this occurs, register the device again.
- Two or more *Bluetooth* devices cannot be connected with the headphones at the same time.
- The headphones can register up to eight *Bluetooth* devices. If more than the maximum number of devices are registered, already registered *Bluetooth* devices will be overwritten in order from the device first connected. Register the devices again if you wish to use them.
- If the headphones are near to a *Bluetooth* device that it was previously connected to, it may automatically connect to the same device upon turning on. To connect to a different *Bluetooth* device, turn off the *Bluetooth* function of the connected *Bluetooth* device or turn off the headphones and carry out pairing again.

Listening to music

Listening to music with *Bluetooth*

If the *Bluetooth* device is compatible with “A2DP” or “AVRCP” *Bluetooth* profiles, you can use the remote control on the headphones to perform actions such as music playback.

- A2DP (Advanced Audio Distribution Profile): Transfers sound to the headphones.
- AVRCP (Audio/Video Remote Control Profile): Allows remote control operation from the headphones.

1 Connect the *Bluetooth* device to the headphones (page 5).

2 Choose the music or video you wish to listen to from the *Bluetooth* device.

- The sound from the music or video plays back through the headphones.
- When fully charged, playback time is approximately 30 hours. (Sometimes less depending on the conditions of use.)

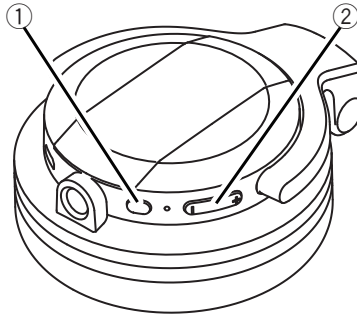
Notes

- Note that the sound may leak out of the headphones at certain volume levels.
- Increasing the volume of the headphones to nearly maximum may cause music, etc. to sound distorted. If this occurs, lower the volume until the music sounds clear.

❖ Remote control operation

Press the buttons on the headphones to operate the *Bluetooth* device remotely.

- Depending on the *Bluetooth* device, some functions may not operate even when the headphone buttons are pushed, or operate differently to the descriptions below.



| Button | Operation | Action |
|------------------------|-------------------|----------------------------------|
| ① Multifunction button | Press one time | Play/Pause |
| | Press two times | Track forward |
| | Press three times | Track rewind |
| ② Volume buttons | + short press | Increase the volume by one step |
| | + long press | Increase the volume continuously |
| | - short press | Decrease the volume by one step |
| | - long press | Decrease the volume continuously |

Note

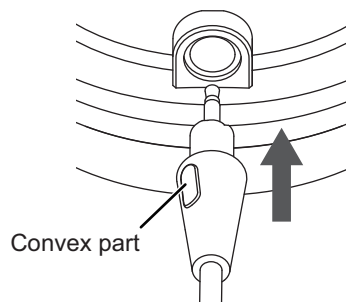
The volume can be adjusted in 15 steps. When the maximum or minimum level is reached, an electronic tone sounds if a button is pressed.

Listening to music with the coil cable

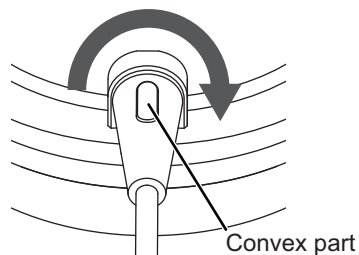
If the device is not *Bluetooth* compatible, or if the battery level is low, you can use the supplied coil cable to use the headphones.

❖ To attach the cable

- 1 Hold the convex part of the cable plug at the angle shown in the diagram and insert the cable plug.

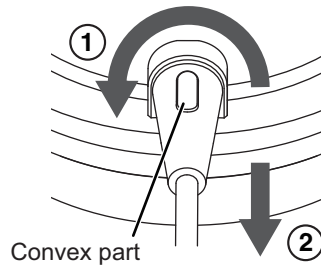


- 2 Rotate the convex part of the cable plug approximately 45 degrees clockwise to the position shown in the diagram to lock the cable plug.



❖ To detach the cable

- 1 Rotate the convex part of the cable plug approximately 45 degrees counterclockwise and then pull out the cable plug.



Notes

- *Bluetooth* does not turn on when the supplied cable is connected.
- The plug on the headphone end of the cable supplied with this product employs a structure to enable smooth insertion and removal, and secure locking in place to make disconnection during DJ performances difficult. This product is compatible with the cables supplied with the HDJ-X7, HDJ-X5, HDJ-X5BT and HDJ-CUE1 as they employ the same plug structure.
- If the supplied cable is connected while a *Bluetooth* connection is active, the *Bluetooth* function on the headphones turns off.

Call

If the *Bluetooth*-compatible telephone (cellular phone, smartphone, etc.) is compatible with “HSP” or “HFP” *Bluetooth* profiles, you can use these headphones to call.

- HSP (Headset Profile): You can receive monaural sound in the headphones and perform two-way communication with the microphone.
- HFP (Hands-Free Profile): Has communications transmission and receiving functionality in addition to HSP functions.
- Connect a *Bluetooth*-compatible telephone with the headphones. For information on how to connect, see “Connecting via *Bluetooth*” (page 5).

1 (Receiving an incoming telephone call)

Press the multifunction button on the headphones once to receive a call.

(HFP only) To refuse a call, press and hold the multifunction button for at least two seconds.

(Placing a telephone call)

Place a telephone call on a *Bluetooth*-compatible telephone.

- Read the user's manual of the *Bluetooth*-compatible telephone.
- To cancel the call, press the multifunction button once. The headphones emit an electronic tone. The headphones emit an electronic tone.

2 Call.

You can also adjust the volume while calling. For information on configuring settings, see “Remote control operation” (page 8).

3 Press the multifunction button on the headphones once to finish a call.

The headphones emit an electronic tone.

Notes

- These headphones are only compatible with receiving normal telephone calls. They are not compatible with smartphone or PC/Mac calling applications.
- Operation of hands-free settings, etc., on the *Bluetooth*-compatible telephone may be necessary.
- Depending on the *Bluetooth*-compatible telephone, the incoming and outgoing call sounds may be heard from the headphones.
- When using in locations where there are high levels of sound from the surrounding area, or in windy locations such as outdoors, conversations may be difficult to hear. In such cases, move to a different location or switch from using the headphones to using the *Bluetooth*-compatible telephone to call.
- The call function is not supported while the coil cable is connected.

Other functions

Reset

If you become unable to use the device, you can reset the headphones.

- 1 Press the multifunction button and “+” volume button simultaneously for at least five seconds while the power is on.**




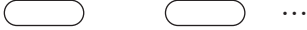


All previous operations will be reset. (Information on registered devices will also be deleted.) After resetting, power is turned off.

Status display LED

Blinks specific sequences and colors to provide notification of device status.

○ : Lit white

● : Lit red

| | |
|---|--|
| When the power is turned on* (lights for approximately one second) |  |
| When not connected* (Blinks at about 2-second intervals) |  |
| When waiting for pairing* |  |
| Connecting* (blinks slowly) |  |
| Charging** |  |
| Initialization (reset) complete (blinks for approximately two seconds) |  |

* When the battery level of the device you are connecting becomes low, the color of the status display LED changes from white to red.

** When charging completes, the LED turns off.

Swivel rotation mechanism



This product is equipped with a swivel rotation mechanism that allows for various styles of monitoring. Before using the product, check its operation direction. Turning the headphones forcefully in an inappropriate direction may result in damage to the product.

Foldable construction

This product is designed to allow folding into a compact shape when not in use.



Troubleshooting

- As operation of *Bluetooth* devices differs according to the device, please read the user's manual of your *Bluetooth* device for more information.
- If the problem does not resolve, reset the headphones. For information on resetting, see "Reset" (page 13).
- If the headphones still do not operate normally after performing the procedures above, contact the service center or your dealer for repairs.

❖ The power does not turn on.

- Charge the headphones.

❖ Cannot charge the headphones.

- Check that the PC/Mac is turned on.
- Check that the PC/Mac is not set to power-saving mode.
- Check that the supplied USB charging cable is connected securely to the PC/Mac.

❖ Cannot pair.

- Bring the headphones and the other device close together before pairing.

❖ Cannot establish a *Bluetooth* connection.

- Check that the headphones and the other device are both turned on.
- Check if the *Bluetooth* function on the other device is turned on.

❖ No sound is output (when playing back music).

- Check that the headphones and the other device are both turned on.
- Check if the headphones and the paired device are connected via *Bluetooth* using A2DP.
- Check if the paired device is playing back music.
- Check if the playback volume is not set low on the paired device.

❖ The sound is distorted (when playing back music).

- Check if there are any devices such as microwave ovens or wireless radios emitting electromagnetic waves in the 2.4 GHz frequency band, or if there are any obstacles in the area.

❖ **Cannot use hands-free operation.**

- Check if the headphones and the paired device are connected via *Bluetooth* using HFP or HSP.
- If the paired device is connected via *Bluetooth* using A2DP, a switchover may be required, depending on the device specifications.

❖ **Transmission distance is short, the sound skips.**

- Check if there are any devices such as microwave ovens or wireless radios emitting electromagnetic waves in the 2.4 GHz frequency band, or if there are any obstacles in the area.

Specifications

General

| | |
|--|--|
| Power..... | DC 5 V (when charging), DC 3.7 V (built-in rechargeable lithium polymer battery) |
| Playback time * ¹ | Approximately 30 hours |
| Charging time * ² (25°C) | Approximately 2.5 hours |
| Recommended charging temperature range | 10°C to 35°C |
| Usable temperature range | 0°C to 40°C |
| Usable humidity range | 35% RH to 80% RH (with no condensation) |
| Weight..... | 250 g |

*¹ Sometimes less depending on the conditions of use.

*² Time required to fully charge from an empty state. Charging time may vary depending on the conditions of use.

Bluetooth section

| | |
|-------------------------------------|---|
| Version | Bluetooth standard version 5.0 |
| Maximum transmission distance | Approximately 10 m * ³ in unobstructed circumstances |
| Frequency band used | 2.4 GHz |
| Modulation method | FH-SS (Frequency hopping spread spectrum) |
| Compatible Bluetooth profiles | A2DP, AVRCP, HSP, HFP |
| Compatible codecs | SBC, AAC |

*³ Transmission distances are a guideline. Transmission distance may change depending on the surrounding environment.

Headphone section

| | |
|---------------------------|---------------------------------------|
| Type | Closed, Dynamic |
| Impedance | 32 Ω |
| Sensitivity | 104 dB |
| Frequency response | 5 Hz to 30 000 Hz |
| Maximum input power | 2 000 mW |
| Driver | \varnothing 40 mm |
| Plug | \varnothing 3.5 mm stereo mini-plug |

Microphone section

| | |
|-----------------------------|--------------------|
| Type | Electric condenser |
| Directionality | Omni-directional |
| Active frequency band | 100 Hz to 4 000 Hz |

Other

| | |
|--------------------|--|
| Head cushion | Polyurethane (leather finish) |
| Ear pad | Polyurethane (leather finish) |
| Accessories..... | 1.2 m Coiled cable (extended length 1.8 m) \times 1, USB charging cable (supplied) (0.5 m) \times 1, Quick Start Guide \times 1, Precautions for use \times 1 |

Note

Specications and design are subject to possible modications without notice due to improvements.

Trademarks and Registered Trademarks

- “Pioneer DJ” is a trademark of PIONEER CORPORATION, and is used under license.
- The names of companies and products mentioned herein are trademarks or registered trademarks of their respective owners.
- The *Bluetooth*[®] word mark and logos are registered trademarks owned by Bluetooth SIG, Inc. and any use of such marks by AlphaTheta Corporation is under license. Other trademarks and trade names are those of their respective owners.

© 2020 AlphaTheta Corporation. All rights reserved.

<DRC1421-A>