

DESCRIPTION

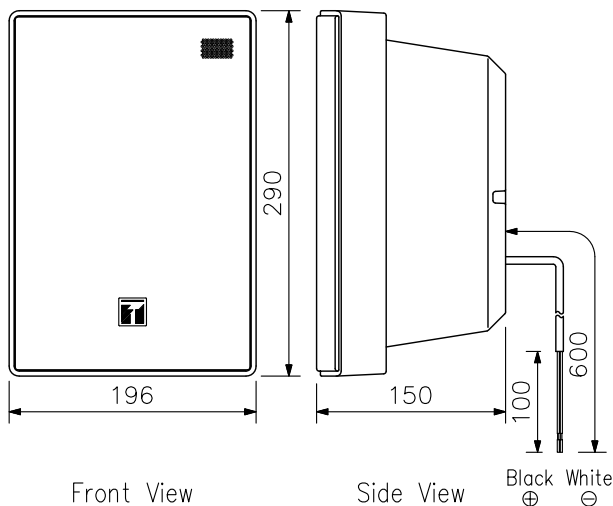
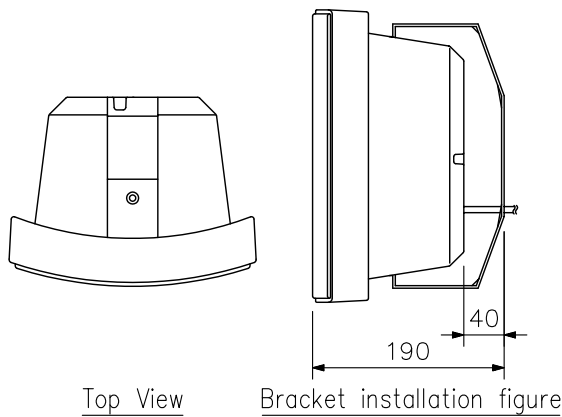
The Q- BS- 1030BL is a small, 2-way bass-reflex type speaker featuring a wide frequency range suitable for use for announcements and music playback. The Q- BS- 1030BL can be used for low-impedance applications.

SPECIFICATIONS

Enclosure	2-way bass-reflex type
Rated Input	30 W
Rated Impedance	8 Ω
Sound Pressure Level	90 dB (1 W, 1 m)
Frequency Response	80 Hz - 20 kHz
Speaker Component	12 cm cone-type + dome-type
Speaker Cord	2-core cabtyre cord with diameter of 6 mm
Operating Temperature	-10 °C to +50 °C
Finish	Enclosure: ABS resin, black (RAL9011 GRAPHITE BLACK), paint Net: Surface treated steel plate, black (RAL9011 GRAPHITE BLACK), powder coating Bracket: Surface treated steel plate, black equivalent to RAL9011 GRAPHITE BLACK, powder coating
Dimension	196 (W) X 290 (H) X 150 (D) mm (unit only)
Weight	2.2 kg (unit only)
Accessory	Bracket...1, Bracket mounting screw...2, Bracket mounting washer...2
Option	Applicable bracket: WCB-13B, SP-410 Applicable stand: ST-16A

* Install with the front facing downward. Note that the splash-proof capability will be lost if installed face-up. The logo mark needs to be located in the lower section when the speaker is installed vertically, and on the right side of the speaker (as viewed from the front) when installed horizontally.

APPEARANCE



UNIT:mm SCALE:1/6

Schematic Diagram

