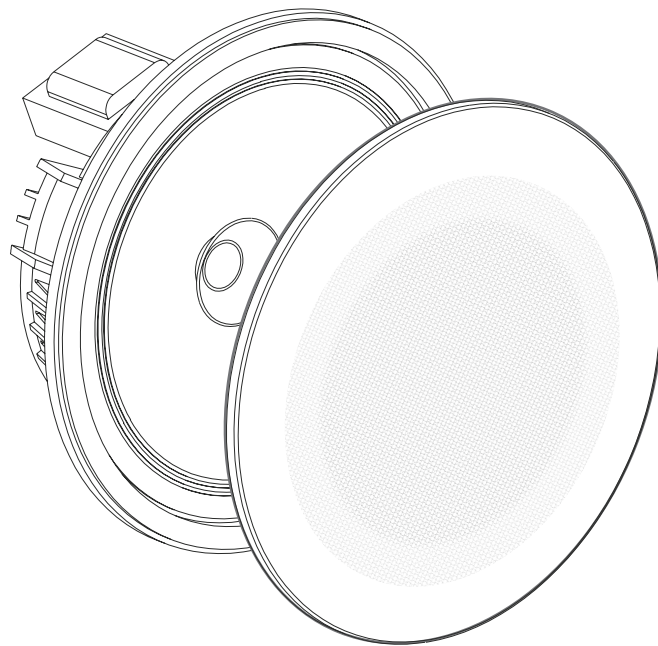




CS-630

CEILING SPEAKER



USER MANUAL

WWW.VL.CO.TH

INTRODUCTION

DESCRIPTIONS

Thank you for purchasing a CS-630 Ceiling speaker. This user manual will provide you with useful and important information about your equipment. Please devote some time reading it and keep it at hand for future reference.

The VL Audio CS-630 is a frameless in-wall speaker, designed for installation in walls and ceilings. It provides a balanced sound with excellent speech intelligibility. The secure mounting clamps enable a fast and simple assembly. It provides a discreet sound solution ideal for hotels, restaurants, bars, lounges, conference rooms, shopping centers and many others.

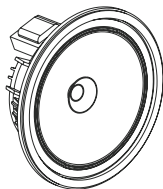
ATTENTION! Because of the continuous evolution of techniques and standards, VL Audio reserves the right to change the specifications of its products without warning. For the most updated version of this manual and general information about this and other products, please visit our website www.vl.co.th



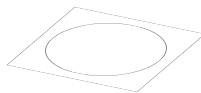
FEATURE

- 90Hz - 20kHz Frequency response(-6db)
- 30W RMS Power
- 88dB Sensitivity
- 102dB Maximum SPL

PACKAGING CONTENTS



• VL AUDIO CS-630



• CUTOUT TEMPLATE

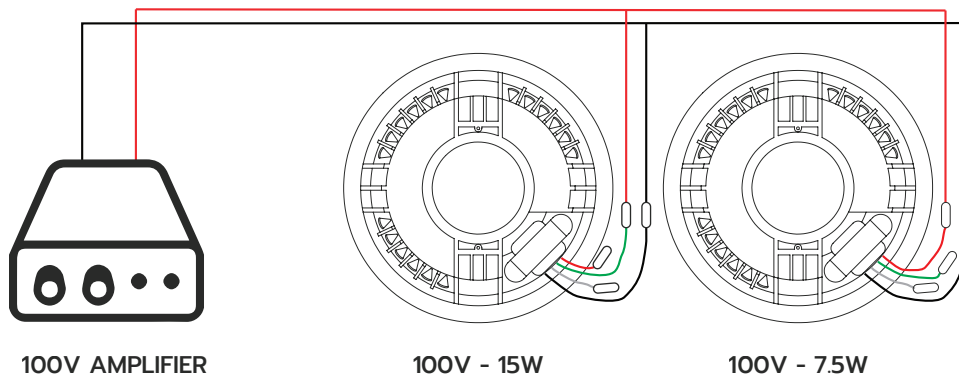


• USER MANAUL

CONNECTIONS

The VL Audio CS-630 speaker work in 100V distributed lines. See below for a detailed explanation.

100V DISTRIBUTED LINES



The VL Audio CS-630 comes standard with a transformer for 100V distributed lines. It is installed on the backside of The CS-630. It has a set of wires mounted on a connector for the input coming from the amplifier. This set is composed of four wires with four different colors (100V Taps). See the table below:

COMMON	30W	15W	7.5W
BLACK	RED	GREEN	WHITE

To configure the CS-630 speaker to work in the 100V distributed line method, connect a suitable 100V amplifier to the connector on the transformer. Connect the negative pole of the amplifier to the black transformer wire and the positive pole of the amplifier to one the other colored wires that matches your intended power tap.

100V LINE INSTALL REQUIREMENTS

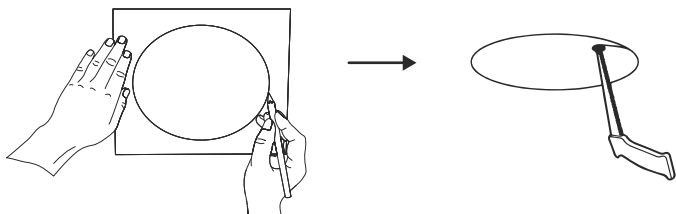
100V POWER AMPLIFIER REQUIREMENTS

Make sure you have a powerful enough amplifier for your setup of CS-630 loudspeakers. It must have at least the total sum of power values chosen on your CS-630 as power tap. Applying the 20% headroom rule, in this case, is the ideal scenario. If you use 15 units of CS-630 loudspeakers configured to 15W each, you will need at least $15 \times 15 \times 1.2 = 270W$ of amplifier power.

INSTALLATION

INSTALLATION INSTRUCTIONS

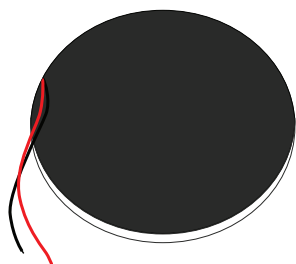
1 Mark the desired location and make a cutout using the cutting saw. Make sure you picked a structurally reliable location. The cutout hole should be 205 mm in diameter. Use a stud finder to check for obstruction present prior to cutting.



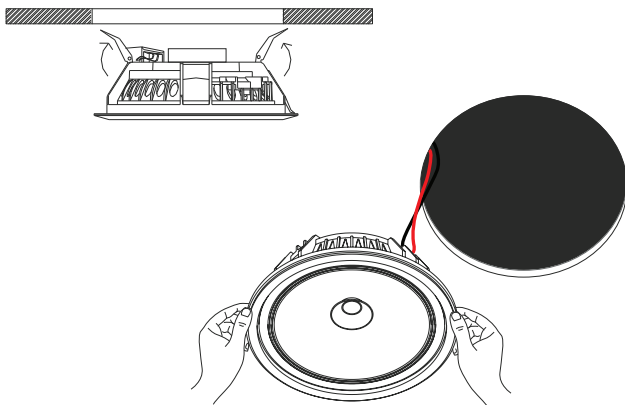
WARNING

Do not cut into surfaces that have hazards concealed behind them such as electrical wiring or plumbing. If you are not sure of your ability to install this equipment, contact a professional installer.

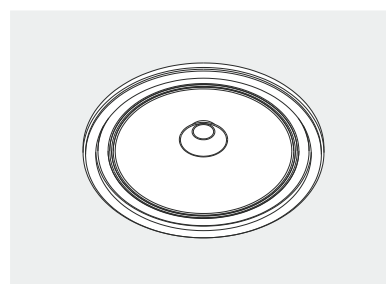
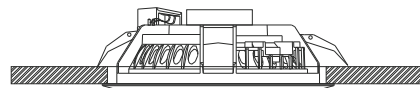
2 Install the wires necessary for operation.



3 Connect the CS-630 loudspeaker as explained in the connections section of this manual. Take care to not touch the speaker directly to avoid damaging those components. Insert the CS-630 gently on the cutout previously made while holding the clamps upwards.

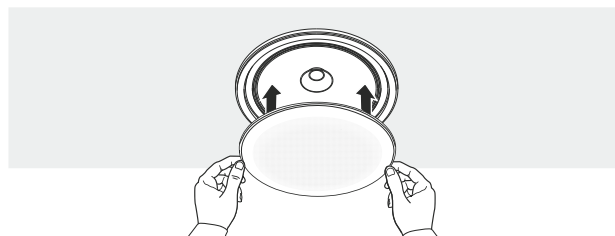


4 After inserting the speaker on the hole the clamps will automatically position themselves and lock to the wall or ceiling. Check that the CS-630 is secure and will not fall.



5 Place the grill on the CS-630.

NOTE: The logo badge can be removed from the grill, without damaging, if needed.



TIPS : Before placing the grille on the speaker, it can be painted to match the room decoration. Remove the grille's inside fabric before painting. Use a Latex or oil-based paint. Spray thinly to ensure the grille holes are not blocked as this will have a negative impact on the sound quality.

TECHNICAL SPECIFICATION

SPECIFICATIONS

Product type	2-Way ceiling speaker (100V)
Frequency response (-6dB)	90Hz - 20kHz

TRANSDUCER

Nominal coverage	90° Conical
RMS Power	30W
Program power	60W
Nominal impedance	8Ω(Transformer bypass)
Sensitivity @1w/1m	88dB
Maximum SPL calculated	102dB
Transformer taps 100V	7.5W, 15W, 30W
Transformer taps 70V	3.7W, 7.5W, 15W
LF Driver	6" polypropylene cone woofer
HF Driver	1" Silk dome tweeter

INPUT/OUTPUT SECTION

Input connector	Quick release connector
-----------------	-------------------------

PHYSICAL SPECIFICATIONS

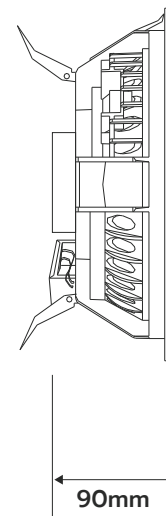
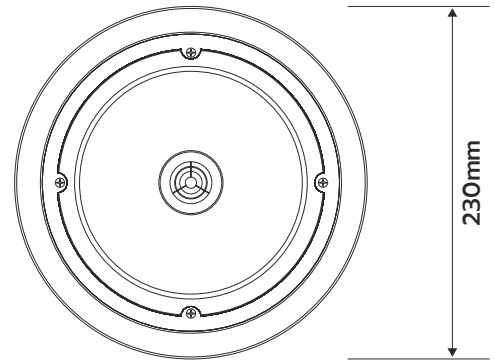
Cabinet/Case material	Acrylonitrile butadiene styrene
-----------------------	---------------------------------

SIZE

Dimensions (OD x H)	230 x 90mm
Cutout dimensions	205mm
Wall/Ceiling thickness	3mm to 15mm
Net weight	1.26kg

SIZE

Package Height	95mm
Package Width	234mm
Package Depth	234mm
Package Weight	1.7kg



CS-630 DIMENSIONS