

Portable Speakers

FLASHLINE MONITOR TFX152M-AN

Co-axial 1,100 Watt
2 Way 15" Stage Monitor with
KLARK TEKNIK DSP Technology
and ULTRANET



- 2 way stage monitor for portable applications
- 1,100 Watt power featuring KLARK TEKNIK Class-D technology
- KLARK TEKNIK Digital Signal Processing for total system control
- ULTRANET digital audio networking connects to mixers and other sources
- High excursion 15" low frequency driver with low mass voice coil for improved transient response
- Titanium dome 1" compression driver with extended high frequency reproduction
- Low profile design to maximise audience sight lines
- Low distortion waveguide provides 60° H x 40° V dispersion
- Fully featured user interface with LCD display for ease of navigation
- PC remote control software downloadable at turbosound.com
- 15 mm (5/8") plywood enclosure with fibre glass reinforced composite end cheeks
- Hard wearing semi matt black paint finish
- Rugged powder coated perforated steel mesh grille
- Durable handle for easy lifting and carrying
- 3-Year Warranty Program*
- Designed and engineered in the U.K.

The 2-way full range TFX152M-AN is a 1,100 Watt 15" powered loudspeaker system that is ideally suited for a wide range of portable speech and music sound reinforcement applications. Designed to work individually without a controller, the TFX152M-AN provides optimal performance for wedge monitoring and is an exceptional choice for FOH, sidefill and delay line applications.



Custom-Engineered Drivers

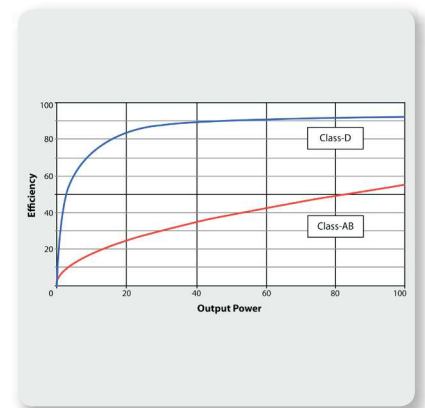
TURBOSOUND is recognised the world over for designing and building some of the most iconic loudspeakers and subwoofers. We take meticulous care and pride in maintaining that reputation by utilising only drivers designed specifically for each application – it's what sets us apart from the competition. The TFX152M-AN loudspeaker features a high excursion 15" low frequency driver with low mass voice coil for improved transient response, and a titanium dome 1" high frequency compression driver mounted on a 60° horizontal by 40° vertical dispersion low distortion waveguide.

FLASHLINE MONITOR TFX152M-AN

Co-axial 1,100 Watt
2 Way 15" Stage Monitor with
KLARK TEKNIK DSP Technology
and ULTRANET

Class-D – Massive Power, Perfect Sound

Equipped with a very efficient and lightweight **KLARK TEKNIK** Class-D power amplifier, the TFX152M-AN provides an impressive 1,100 Watts of output power in a highly portable and lightweight package. Class-D amplification makes all the difference, offering the ultimate in energy efficiency and eliminating the need for heavy power supplies and large heat sinks.



Onboard DSP

A high degree of control over the loudspeaker system's performance is managed by a sophisticated, but easy to use **KLARK TEKNIK** Digital Signal Processor (DSP), which provides dynamic EQ and transparent limiting for the utmost punch and definition at high output levels – and long-term reliability.

ULTRANET Connectivity

ULTRANET connectivity is provided by two locking etherCON* connectors. Up to 16 independent channels of 24-bit digital audio and control data are transmitted via a single CAT5 cable between compatible digital devices – including mixers, I/O stage boxes, powered loudspeakers and personal monitoring systems. Simplified cable routing and ease of setup translate directly into significant time saved during installation.



FLASHLINE MONITOR

TFX152M-AN

Co-axial 1,100 Watt
2 Way 15" Stage Monitor with
KLARK TEKNIK DSP Technology
and ULTRANET



Intuitive User Interface

On the rear panel of the amplifier module, the user interface's LCD display and single rotary encoder provide intuitive access to: position compensation, user EQ control, subwoofer integration and signal routing features. In addition to the balanced XLR input, an XLR output is provided for daisy-chaining more active loudspeakers or for use with active subwoofers. An onboard USB port provides access for remote control of the TFX152M-AN via a free PC computer software download from turbosound.com – as well as convenient DSP firmware updates.

Plywood Construction

Finished in a highly durable semi matt black paint, the cabinet is constructed from 15 mm ($\frac{5}{8}$ ") plywood with fibre glass reinforced composite end cheeks and a rugged powder coated perforated steel mesh grille backed with reticulated foam. The TFX152M-AN includes a convenient pole mount socket for use with 35 mm poles/speaker stands to optimise coverage and a durable handle for easy transport. TFX152M-AN's low profile design provides improved audience line of sight for seamless integration into any application.



Touring-Grade Performance

Designed to provide exceptional and unobtrusive onstage performance for travelling musicians, houses of worship, banquet facilities, night clubs – and a host of other venues, the 1,100-Watt TFX152M-AN puts touring-grade sound quality into a scalable loudspeaker system that is supremely portable and versatile.

FLASHLINE MONITOR TFX152M-AN

Co-axial 1,100 Watt
2 Way 15" Stage Monitor with
KLARK TEKNIK DSP Technology
and ULTRANET

You Are Covered

We always strive to provide the best possible Customer Experience. Our products are made in our own MUSIC Group factory using state-of-the-art automation, enhanced production workflows and quality assurance labs with the most sophisticated test equipment available in the world. As a result, we have one of the lowest product failure rates in the industry, and we confidently back it up with a generous 3-Year Warranty program.

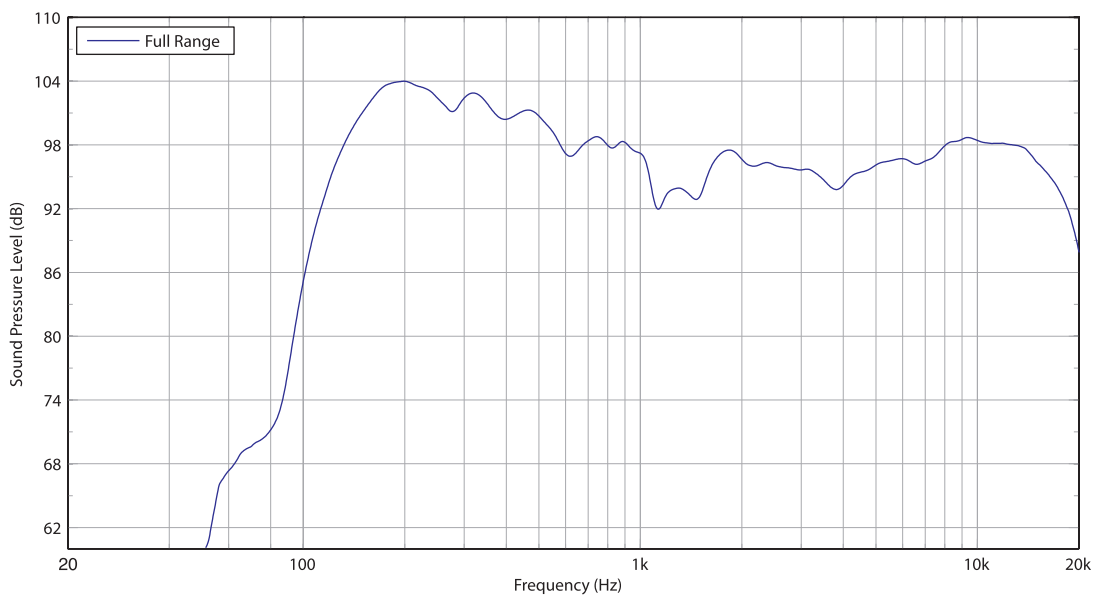


FLASHLINE MONITOR

TFX152M-AN

Co-axial 1,100 Watt
2 Way 15" Stage Monitor with
KLARK TEKNIK DSP Technology
and ULTRANET

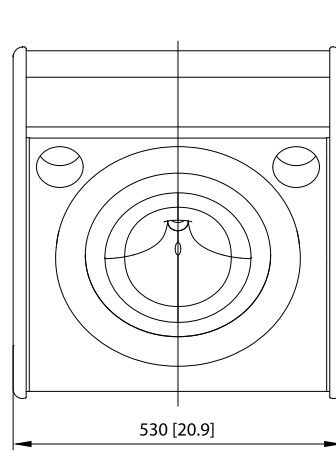
Frequency Response Sensitivity 1 W / 1 m



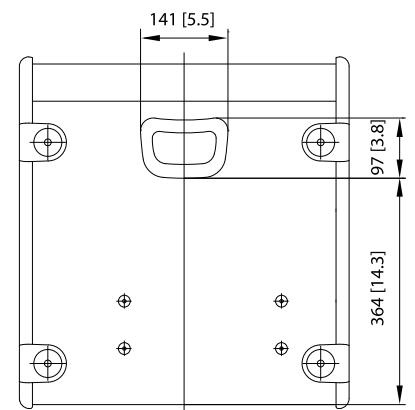
FLASHLINE MONITOR TFX152M-AN

Co-axial 1,100 Watt
2 Way 15" Stage Monitor with
KLARK TEKNIK DSP Technology
and ULTRANET

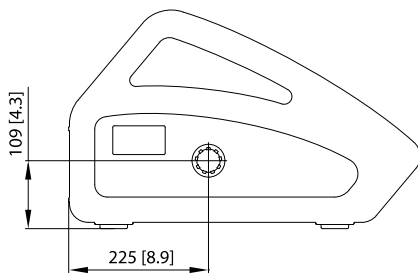
Dimensions



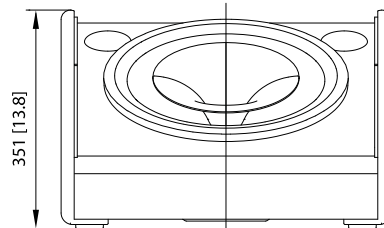
TOP



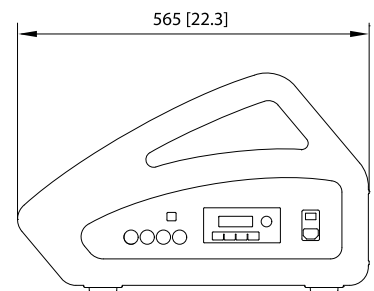
BOTTOM



LEFT



FRONT



RIGHT

Portable Speakers

FLASHLINE MONITOR

TFX152M-AN

Co-axial 1,100 Watt
2 Way 15" Stage Monitor with
KLARK TEKNIK DSP Technology
and ULTRANET

Technical Specifications

System

Frequency Response	63 Hz – 18 kHz ± 3 dB 57 Hz – 20 kHz -10 dB
Nominal Dispersion	60° H x 40° V @ -6 dB points, rotatable
Maximum SPL	127 dB peak
Crossover type	Active
Transducers	1 x 15" (387 mm) LF driver 1 x 1" (25.4 mm) HF compression driver
Limiter	Independent HF, LF, peak and rms

Amplifier

Maximum output power*	1100 W*
Type	Class-D
Protection	Short circuit, thermal

Connectors

Input / Link	1 x combo jack/XLR, 1 x XLR
Sensitivity	+1 dBu
Input impedance	40 k Ω balanced
Maximum input level	+12.5 dBu
Ultranet input/link	2 x RJ45
Mains Supply	Standard IEC receptacle

Controls

DSP	Rotary push-encoder and level control Buttons for Process, Setup, Exit, Enter
-----	--

User DSP Functions

Factory EQ presets	Positioning, Sound mode, FBQ
Display	LCD 128 x 32, blue , backlit
Delay	0 - 300 ms
Equalisation	High and low shelving EQ, 2 x parametric EQ
Limiter	Zero attack input limiter
Presets	20 total presets, 19 user-definable
Crossover	High pass L-R 24 dB/oct
Protection	Lock-out function for all settings

Ultranet Digital Network

Digital processing	
Factory EQ presets	24-bit, 44.1 / 48 kHz sample rate
System	
Signal	16 channels
Latency	< 0.9 ms
Cabling	
Cables	Shielded CAT5
Cable length	max. 246 ft / 75 m recommended

Portable Speakers

FLASHLINE MONITOR

TFX152M-AN

Co-axial 1,100 Watt
2 Way 15" Stage Monitor with
KLARK TEKNIK DSP Technology
and ULTRANET

Power Supply

Power consumption	140 W @ 1/8 max power
Voltage (fuses)	
USA / Canada	120 V~, 60 Hz (T 8 A H 250 V)
UK / Australia / Europe	220-240 V~, 50/60 Hz (T 4 A H 250 V)
Korea / China	220-240 V~, 50/60 Hz (T 4 A H 250 V)
Japan	100 V~, 50/60 Hz (T 8 A H 250 V)

Enclosure

Dimensions (H x W x D)	351 x 530 x 565 mm (13.8 x 20.9 x 22.3")
Net weight	21.5 kg (47.3 lbs)
Construction	15 mm (5/8") birch plywood + polypropylene plastic
Finish	Semi matt black paint
Grille	Powder coated perforated steel
Flying hardware	N/A

*independent of limiters and driver protection circuits.

†Only qualified personnel are allowed to modify the AC-Main cord and to adhere to all applicable national standards.

**Power consumption for a single device only.

FLASHLINE MONITOR TFX152M-AN

Co-axial 1,100 Watt
2 Way 15" Stage Monitor with
KLARK TEKNIK DSP Technology
and ULTRANET



FLASHLINE MONITOR

TFX152M-AN

Co-axial 1,100 Watt
2 Way 15" Stage Monitor with
KLARK TEKNIK DSP Technology
and ULTRANET



FLASHLINE MONITOR TFX152M-AN

Co-axial 1,100 Watt
2 Way 15" Stage Monitor with
KLARK TEKNIK DSP Technology
and ULTRANET



Portable Speakers

FLASHLINE MONITOR TFX152M-AN

Co-axial 1,100 Watt
2 Way 15" Stage Monitor with
KLARK TEKNIK DSP Technology
and ULTRANET



For sales, support or more information contact the TURBOSOUND location nearest you:

Europe
MUSIC Group Services UK
Tel: +44 (0) 271 2296
Email: CARE@music-group.com

USA/Canada
MUSIC Group Services NY Inc.
Tel: +1 (716) 896 6296
Email: CARE@music-group.com

Japan
MUSIC Group Services JP K.K.
Tel: +81 (0) 6331 0454
Email: CARE@music-group.com

MUSIC Group accepts no liability for any loss which may be suffered by any person who relies either wholly or in part upon any description, photograph, or statement contained herein. The product specifications, appearance and other information are subject to change without notice. All trademarks are the property of their respective owners. MDAI, KLARK TEKNIK, LAB GRUPPEN, LARK, TURBOSOUND, TC ELECTRONIC, TC HELIX, Q4, BIRGITZ, BIRGITZ and DSA are trademarks or registered trademarks of MUSIC Group IP Ltd. © MUSIC Group IP Ltd. 2016. All rights reserved.