



# AONIC 40

## Wireless Noise Cancelling Headphones

The Shure wireless headphones, AONIC 40, user guide.  
Version: 1.3 (2022-A)

# Table of Contents

<b>AONIC 40 Wireless Noise Cancelling Headphones</b>	<b>3</b>	Prompts & Tones	10
<b>General Description</b>	<b>3</b>	Auto Power Off	11
<b>Important Safety Information</b>	<b>3</b>	Preset Modes	11
<b>ShurePlus™ PLAY Mobile Listening App</b>	<b>3</b>	Create Custom Presets	12
<b>Bluetooth® Pairing</b>	<b>4</b>	Use Screen Orientation to Adjust EQ	12
Multipoint pairing	4	Retaining EQ settings	13
<b>Using the Buttons</b>	<b>4</b>	Updating the Firmware for Shure AONIC products	13
<b>LED indicator</b>	<b>7</b>	<b>Furnished Accessories</b>	<b>15</b>
<b>Cable connections</b>	<b>7</b>	Replacement Parts	15
<b>Auto Power Off</b>	<b>8</b>	<b>Specifications</b>	<b>15</b>
<b>Care and Maintenance</b>	<b>8</b>	<b>SAFETY PRECAUTIONS</b>	<b>17</b>
<b>Storage</b>	<b>8</b>	WARNING FOR ALL EARPHONES!	17
<b>ShurePlus PLAY Mobile Listening App</b>	<b>8</b>	SAFETY PRECAUTIONS	17
General Description	9	WARNING	17
Environment mode	9	CAUTION	17
PausePlus	9	IMPORTANT SAFETY INSTRUCTIONS	18
Button Controls	10	For Products That Use Bluetooth	18
		CAUTION	18
		WARNING	18
		<b>Certifications</b>	<b>19</b>
		<b>LIMITED WARRANTY</b>	<b>19</b>

---

# AONIC 40

## Wireless Noise Cancelling Headphones

---

### General Description

Crafted with premium materials and engineered by the brand creators and musicians trust, the AONIC 40 Wireless Noise Cancelling Headphones deliver studio-quality sound in a portable and lightweight design. Enjoy the details in your music while blocking out unwanted sounds with adjustable noise cancellation. Or, let the outside world in with Environment Mode. Experience an unparalleled combination of comfort, audio performance and durability wherever your day takes you.

- **Clear, studio-quality sound** engineered from decades of experience developing products for music legends and performers of all kinds.
- **Adjustable noise cancellation** blocks out noise for a truly immersive listening experience. Three digital ANC settings for extended low-frequency cancellation and a natural experience.
- **Environment Mode** allows you to hear the outside world with the push of a button.
- **Lightweight and portable design** folds flat and collapses for easy travel and storage.
- **Up to 25 hours battery life** with quick charge capability. Fifteen minutes of charge provides 5 hours of use.
- **Long-wearing comfort and durability** built to last and withstand the rigors of the road. Made with premium materials including glass filled nylon and aircraft grade aluminum alloy.
- **Customizable EQ.** Choose from multiple presets, or create your own custom EQ using the free ShurePlus PLAY app. Saves directly to your headphones for easy transfer across other apps or devices.
- **Premium call quality with exceptional audio** through beamforming microphones for video conferencing and phone calls. Dual USB audio mode allows for two-way mic communication with the included USB-C cable.
- **Bluetooth® 5 wireless technology** for enhanced stability and a range of up to 30 feet (10 meters). Pairs to phones, tablets and laptops.
- **Easily accessible controls** provide quick access to answer calls, adjust volume, and control ANC and Environment Mode levels with the push of a button.
- **Support for multiple codecs** including Qualcomm® aptX™, aptX™ HD, AAC, and SBC.
- **Connect to wired sources** with 3.5mm analog audio input to stay connected to any device, including airplane entertainment systems, or USB-C digital input for charging and streaming calls and audio.
- **ShurePlus™ PLAY app** allows you to customize your settings and control your EQ, noise cancellation and Environment Mode levels. Free to download for iOS and Android.
- **Includes** a two-year warranty, AONIC 40 Wireless Headphones, protective zippered carrying case, 3.5mm audio cable and a USB-C cable.

---

### Important Safety Information

Before using this product, please read the warnings and safety instructions: [SAFETY PRECAUTIONS](#)

---

### ShurePlus™ PLAY Mobile Listening App

Unlock the full potential of your listening experience: [more info here](#)

---

## Bluetooth® Pairing

Headphones automatically enter pairing mode when you power them on the first time or when they have not been previously paired with this audio source.

1. From your audio source, select "Shure AONIC 40."
2. When successfully paired, you hear "Connected".

Headphones automatically pair with previously paired devices when you power them on. After a few seconds you will hear "Connected".

### Manual pairing

1. Turn off the headphones.
2. Press and hold the power button for 6 seconds.
3. When you hear "Bluetooth pairing mode," release the button.
4. From your audio source, select "Shure AONIC 40."
5. When successfully paired, you hear "Connected".

**Note:** If the pairing fails on the first attempt, repeat the process from the beginning.

To customize the listening features with your device, download the free ShurePlus™ PLAY app for iOS and Android.

### Multipoint pairing

AONIC 40 headphones support Bluetooth multipoint pairing which enables the headphones to be connected to two devices at the same time. AONIC 40 will remain connected to both devices and receive inputs alternately.

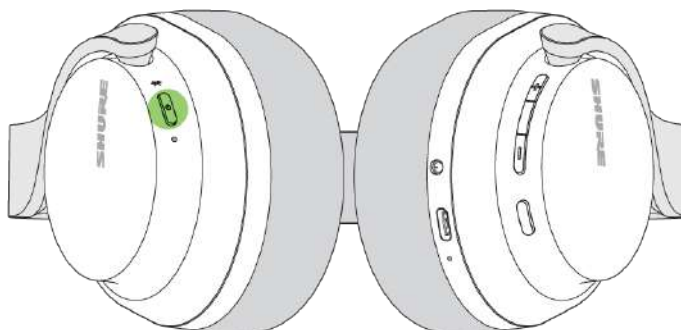
If you are having difficulty with your AONIC 40 headphones and multipoint pairing, follow these steps:

1. Clear the AONIC 40's paired devices list (PDL) from the PLAY app
2. Clear the AONIC 40 from any previously paired devices
3. Power off the AONIC 40 headphones
4. Press and hold the AONIC 40 power button for 6 seconds
5. When you hear "Bluetooth pairing mode," release the button
6. Select "Shure AONIC 40" on the cellular phone
7. When successfully paired, you hear "Connected"
8. Disable Bluetooth on your cellular phone
9. Power off the AONIC 40 headphones
10. Press and hold the AONIC 40 power button for 6 seconds to enter Bluetooth pairing mode again
11. Connect to other device
12. Turn on Bluetooth on the first cellular phone and select "Shure AONIC 40" in settings

You will not hear a "Connected" prompt but you will see that the headphones are connected to both of the devices.

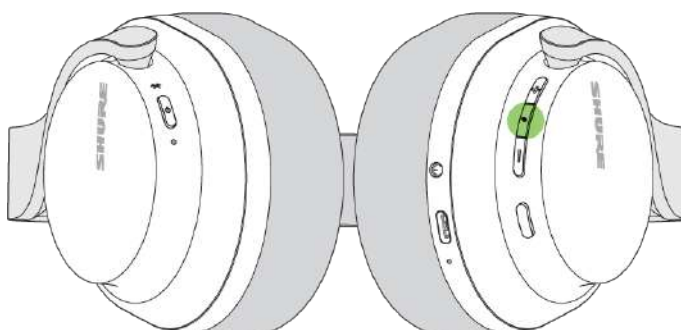
---

# Using the Buttons



**Power button**

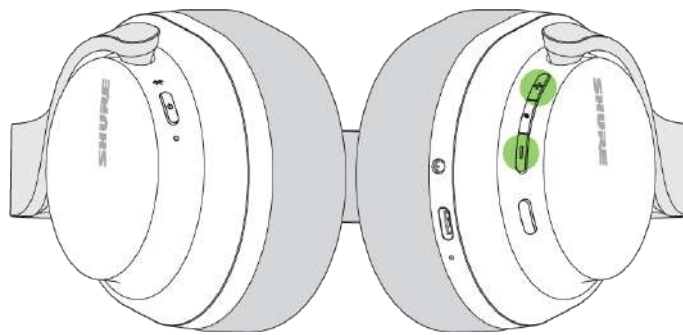
<b>Power on</b>	Press and hold, 2 seconds
<b>Power off</b>	Press and hold, 2 seconds
<b>Pair Bluetooth</b>	<ol style="list-style-type: none"> <li>1. <b>Turn off the headphones</b></li> <li>2. Press and hold, 6 seconds</li> </ol>
<b>Check battery status</b>	Double press (audible status notification)
<b>Clear paired device list</b>	<ol style="list-style-type: none"> <li>1. <b>Turn off the headphones and plug into a charger</b></li> <li>2. Press and hold, 7 seconds</li> </ol>



**Center button**

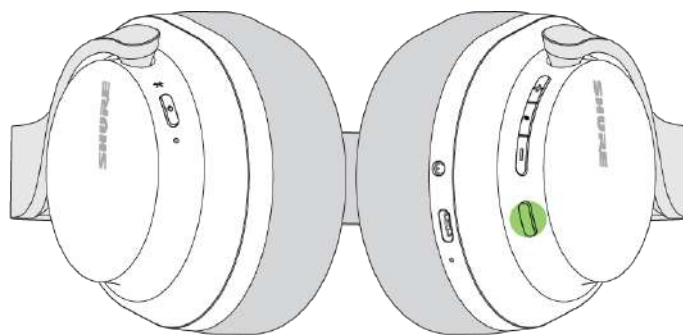
<b>Music</b>	
<b>Play/Pause</b>	Press one time
<b>Next track</b>	Press two times
<b>Previous track</b>	Press three times
<b>Restart track</b>	Press three times after 6 seconds of music

<b>Answer/End a call</b>	Press one time
<b>Decline a call</b>	Press and hold, 2 seconds
<b>Activate voice assistant</b>	Press and hold, 2 seconds
<b>Phone calls</b>	
<b>Answer/End a call</b>	Press one time
<b>Answer/End a call</b>	Press one time
<b>Decline a call</b>	Press and hold, 2 seconds
<b>Activate voice assistant</b>	Press and hold, 2 seconds



**Volume buttons**

<b>Volume up</b>	Press +
<b>Volume down</b>	Press -



**Environment mode/ANC switch**

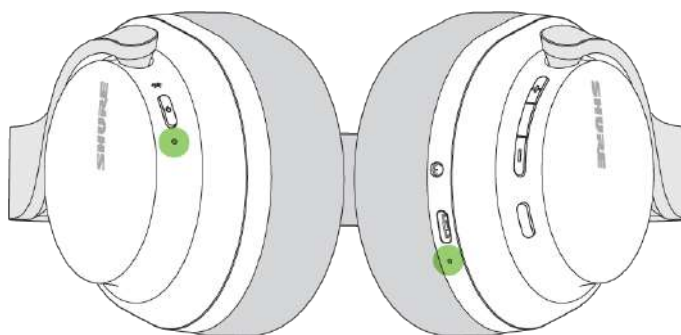
<b>Active Noise Cancellation \ Environment mode</b>	Press one time
<b>Noise control off</b>	Press and hold 4 seconds
<b>Mute \ Unmute mic</b>	Press two times

## Hardware reset

If the buttons do not respond to repeated presses, you can perform a hardware reset to force a power off.

1. Press the +, -, and power buttons simultaneously to immediately power off the headphones. This does not reset any values you may have changed.
2. Power on the headphones.

## LED indicator



Left	Right
<b>Pairing mode</b> Flashing blue and red	<b>Charging</b> Red
<b>Pairing successful</b> Blue for 2 seconds	<b>Low battery</b> Flashing red
<b>Pairing unsuccessful</b> Flashing blue	<b>Fully charged</b> Off
<b>On a call</b> Red	

## Cable connections

The headphones can also use two different cables to access audio instead of using the wireless feature:

- **USB-C:**
  - Charge the headphones
  - Connect to digital audio
- **3.5 mm audio cable:** Connect to an analog audio port

---

## Auto Power Off

You can configure the Auto Power Off feature in the PLAY app to turn off your headphones when not in use:

1. Select Device
2. Select Battery & Power
3. Specify the auto power off time in Power Off When Disconnected
  - After 10 Minutes (default)
  - After 1 Hour
  - After 4 Hours
  - Never

---

## Care and Maintenance

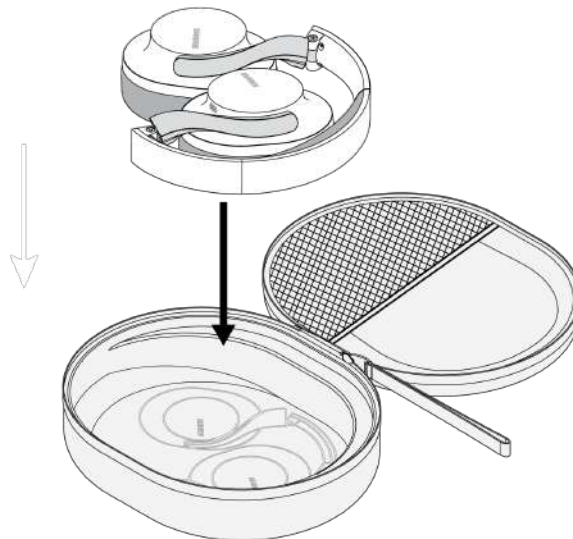
To clean the headphones, use a soft, damp cloth.

**CAUTION:** Do not use cleansers that contain solvents. Keep liquid and foreign objects out of the driver openings.

---

## Storage

Store headphones in protective case when not in use.





# ShurePlus PLAY Mobile Listening App

## General Description

The ShurePlus PLAY Mobile Listening App is a high-resolution music player with advanced EQ controls. Play uncompressed audio files with your iOS or Android mobile device using the music tab. Use built-in Shure EQ presets to customize the sound, or create your own EQ presets in the settings tab. Unlock environment mode and ANC features by connecting to Shure wireless and True Wireless products in the device tab.

## Features

- Import and play multiple, high-resolution and standard file types
- Customize presets with the parametric graphic EQ
- Adjust your volume with the full-screen fader
- Create playlists and organize your music library by playlist, artist, album title, song title, genre, or composer
- Quickly dial in your sound with EQ preset modes for a variety of listening situations.

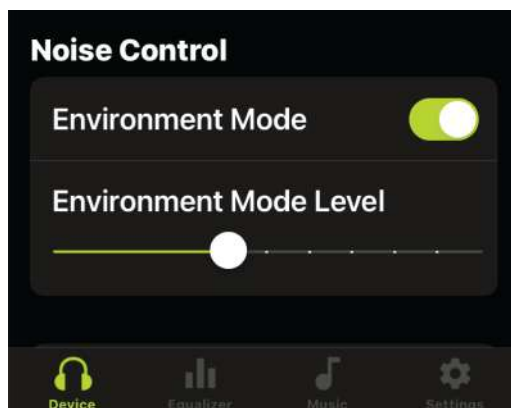
## Environment mode

Environment mode allows you to accentuate the ambient noise around you. This is especially useful when you want to listen to music or are on a phone call, yet you still want to be aware of the sounds around you.

To use environment mode:

- Double press either adapter
- Use the switch in the ShurePlus PLAY app

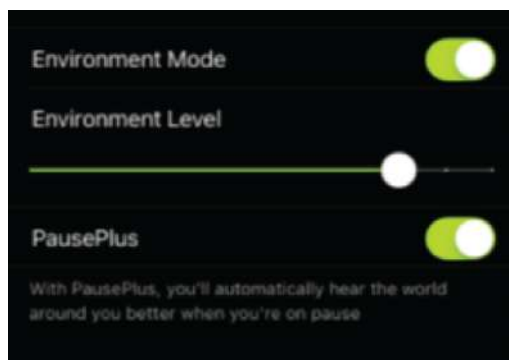
In the ShurePlus PLAY app, you can adjust the environment mode across ten levels:



## PausePlus

PausePlus accentuates the ambient noise around you when you pause your music. When you resume your music, you also revert to any previous settings.

To enable PausePlus, use the switch in the ShurePlus PLAY app.

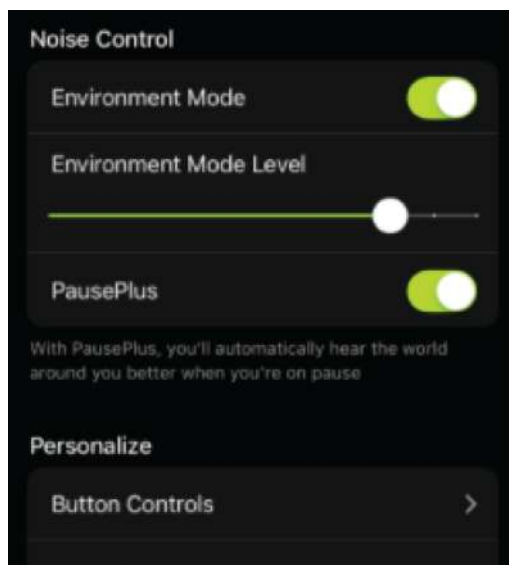


## Button Controls

You can customize the buttons for your earphones to control the features in the way that you want. You can control the button responses for:

- Music and Audio
- Phone calls
- Volume

Use Button Controls from the device home screen to access the Button Controls screen where you can customize the buttons for your earphones.



## Prompts & Tones

You can select between voices, tones, and mute for the audio feedback that plays when events like power on/off, Bluetooth connection, etc. occur. After you have selected what type of prompt you want and the volume, you can further specify individual prompts for muting. The prompts that you can select from are:

- Power On/Off
- Bluetooth Disconnected
- Environment Mode
- Low Battery



## Auto Power Off

You can configure the Auto Power Off feature in the PLAY app to turn off your headphones when not in use:

1. Select Device
2. Select Battery & Power
3. Specify the auto power off time in Power Off When Disconnected
  - After 10 Minutes
  - After 1 Hour
  - After 4 Hours
  - Never

## Preset Modes

Use presets to quickly access commonly used listening scenarios. Seven selectable 4-band presets optimize settings for gain, equalization, and compression. Play a song and find the preset that you think suits the song best, and then adjust levels as needed.

Preset	Application
<b>Bass Boost</b>	Increase low frequencies
<b>Bass Cut</b>	Decrease low frequencies
<b>Treble Boost</b>	Increase high frequencies
<b>Treble Cut</b>	Decrease high frequencies
<b>Vocal Boost</b>	Increase vocal clarity by emphasizing the vocal range
<b>De-ess</b>	Decrease vocal hiss/ sibilance in speech
<b>Loudness</b>	Clarity for listening at low volume. Both the bass and treble frequencies are boosted to make the overall sound feel louder.

# Create Custom Presets

## Add new preset

1. Scroll down to tap Add New Preset or tap Manual. New presets start out flat.
2. Adjust your frequency, gain, and bandwidth parameters. There are three ways to adjust your equalizer.
  - Tap the values to type in a specific number.
  - Tap the - or + to adjust in larger increments.
  - Tap and drag the numbered circles for bigger changes.
3. Tap Save to name and save your new custom preset. Custom presets will show up after the list of Shure presets.

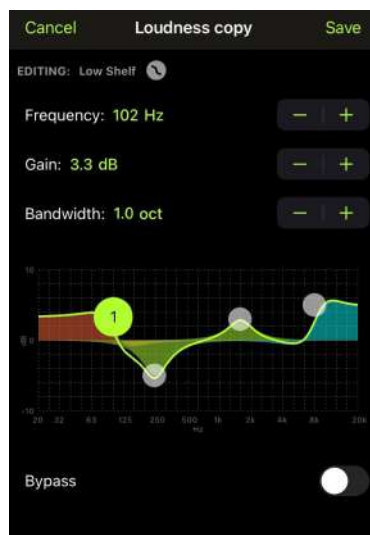
## Duplicate a Preset

You can duplicate both Shure and custom presets. Duplicating a preset is convenient if you like the way a preset sounds but you want to make and keep adjustments to the sound.

1. Start by selecting an already existing preset.
2. Tap the More Options 3 dots and select Duplicate.
3. Scroll down to find your duplicate preset in the list of custom presets.
4. Tap the More Options 3 dots and select Edit.
5. Adjust your frequency, gain, and bandwidth parameters. Type in a specific number. Tap - or + to adjust in small increments. Or manually tap and drag the numbered circles for larger changes.
6. Tap Save to save your new custom preset.

## Use Screen Orientation to Adjust EQ

Hold your device in portrait mode to enter numerical EQ parameters. Rotate to landscape mode for a close-up view of the curve.



*Use portrait mode to easily select and adjust frequency, gain, and bandwidth.*



*Use landscape for a close-up view of your EQ curves.*

## Retaining EQ settings

The presets and customized EQ get applied to whatever audio you are listening to and persist until you change them, even if you turn the headphones off.

## Updating the Firmware for Shure AONIC products

Take advantage of additional features and design enhancements by updating the firmware on your AONIC product. To check for firmware updates, connect the AONIC product to a device running the ShurePlus PLAY app, available for [Android](#) and [iOS](#).

### Follow these steps for a successful firmware update

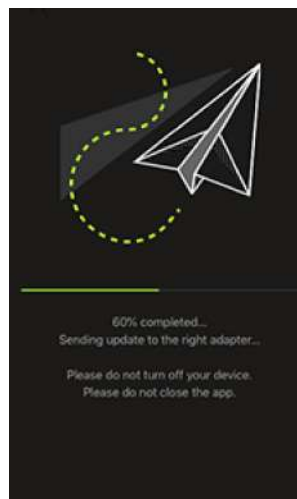
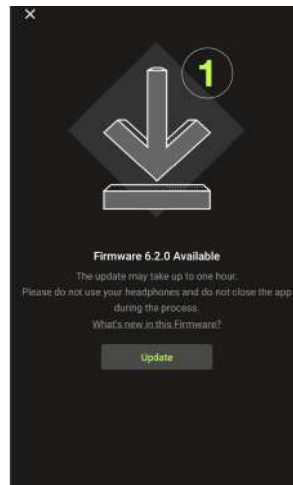
1. Enable Airplane mode on your mobile device.
2. Turn on Bluetooth and pair the AONIC product to your device.

**Attention:** Android users, check settings to ensure that both adapters are connected to your device.

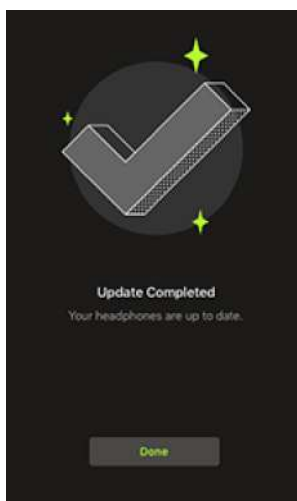
3. Open the ShurePlus PLAY app and select the Device tab.
  - **IMPORTANT:** Ensure that both earphones or adapters are paired with the device and in close range (for applicable products).
  - If both earphones or adapters do not automatically connect, tap the music tab and then tap back into the device tab.
4. When an update is available, a green dot will appear next to Firmware Update in the device settings menu.



5. Tap the caret icon and follow the onscreen step-by-step instructions. The progress bar displays progress percentage for both adapters; it is a single process.



6. After a successful update, the “Update Completed” confirmation screen appears.
  - Do not power off the AONIC product until the update completes.
  - Do not put the adapters back into the case during firmware update. It will cancel the update.
  - **Note:** If the update fails on the first attempt, be sure to quit the app completely before attempting again. You may need to force quit the app to confirm that it isn't running in the background. Wait 5 minutes before opening the app and attempting again. Check the list below for tips on a successful update.
7. Confirm the new firmware version as displayed in the About menu (Device screen > ... > About > Firmware Version).



## Tips to ensure a reliable update

- Ensure that the mobile device and your AONIC product are **powered on** and **near** to one another.
- Using the product or mobile device while downloading may slow or cancel the update process.
- Update requires **a minimum battery charge of 50%** on your mobile device and on the AONIC product.
- Approximate download time for headphones and earphones is **up to 30 minutes**.
- Do not exit the PLAY app and ensure that your screen is on.
- Do not update in areas with high volume mobile or WiFi wireless activity, like a plane or train station. This interference can significantly slow down or cancel the update process.
- Ensure that your mobile device is using the most current operating system (OS).

Contact Shure Service and Repair if you experience any issues.

## Furnished Accessories

<b>SBH1DYBK1-CASE</b>	PREM. WIRELESS HEADPHONE REPL CASE-BLK
<b>SBH1DYWH1-CASE</b>	PREM. WIRELESS HEADPHONE REPL CASE-WHT
<b>RPH-CABLE-USB</b>	REPL USB-C to USB-A CABLE 1M
<b>RPH-CABLE-AUDIO</b>	REPL 2.5-3.5MM CABLE 1.5M

## Replacement Parts

<b>SBH1DYBK1-PADS</b>	PREM. WIRELESS HEADPHONE REPL PADS-BLK
<b>SBH1DYWH1-PADS</b>	PREM. WIRELESS HEADPHONE REPL PADS-WHT

---

# Specifications

## Model/Model:

SBH2240

## Transducer Type

Dynamic, Neodymium magnet

## Driver Size

40 mm

## Frequency Response

20 to 20,000 Hz

## Sensitivity

@ 1 kHz

94.7 dB/mW

## Impedance

@ 1 kHz

31  $\Omega$

## Maximum Input Power

500 mW

## Weight

313 g (11 oz.)

## Operating Temperature

0°C to 45°C (32°F to 113°F)

## Storage Temperature

-10°C to 45°C (14°F to 113°F)

## Antenna Type

Internal Inverted-F

## Gain

+2.29 dBi

## Operating Frequency

2402 MHz-2480 MHz

## Modulation Type

FHSS

## RF Output Power

+9.5 dBm ( EIRP)



## Supported Codecs

aptX, aptX HD, SBC, AAC

# SAFETY PRECAUTIONS



Before using this product, please read and save the enclosed warnings and safety instructions.

## WARNING FOR ALL EARPHONES!

Use, clean, and maintain earphones according to manufacturer's instructions.

## SAFETY PRECAUTIONS

The possible results of incorrect use are marked by one of the two symbols—"WARNING" and "CAUTION"—depending on the imminence of the danger and the severity of the damage.

	<p><b>WARNING:</b> Ignoring these warnings may cause severe injury or death as a result of incorrect operation.</p>
	<p><b>CAUTION:</b> Ignoring these cautions may cause moderate injury or property damage as a result of incorrect operation.</p>

## WARNING

- If water or other foreign objects enter the inside of the device, fire or electric shock may result.
- Do not attempt to modify this product. Doing so could result in personal injury and/or product failure.
- Do not use when a failure to hear your surroundings could be dangerous, such as while driving, or when biking, walking, or jogging where traffic is present and accidents could occur.
- Keep this product and its accessories out of reach of children. Handling or use by children may pose a risk of death or serious injury. Contains small parts and cords that may pose risk of choking or strangulation.
- Stop using the earphones and consult a medical professional if you experience irritation, excessive wax buildup, or other discomfort.

## CAUTION

- Never disassemble or modify the device, as failures may result.
- Do not subject to extreme force and do not pull on the cable or failures may result.
- Keep the earphone dry and avoid exposure to extreme temperatures and humidity.
- If you are currently receiving ear treatment, consult your physician before using this device.



High sound pressure

Hearing damage risk

To prevent possible hearing damage, do not listen at high volume levels for long periods.

## IMPORTANT SAFETY INSTRUCTIONS

1. READ these instructions.
2. KEEP these instructions.
3. HEED all warnings.
4. FOLLOW all instructions.
5. DO NOT use this apparatus near water.
6. CLEAN ONLY with dry cloth.
7. DO NOT block any ventilation openings. Install in accordance with the manufacturer's instructions.
8. DO NOT install near any heat sources such as radiators, heat registers, stoves, or other apparatus (including amplifiers) that produce heat.
9. PROTECT the power cord from being walked on or pinched, particularly at plugs, convenience receptacles, and the point where they exit from the apparatus.
10. ONLY USE attachments/accessories specified by the manufacturer.
11. UNPLUG this apparatus during lightning storms or when unused for long periods of time.

## For Products That Use Bluetooth

### WARNING

- Follow instructions from manufacturer.
- Product battery may explode or release toxic materials. Risk of fire or burns. Do not open, crush, modify, disassemble, heat above 140°F (60°C), or incinerate.
- Attention should be drawn to the environmental aspects of battery disposal.
- Product shall not be exposed to excessive heat such as sunshine, fire, or the like.
- Do NOT make unauthorized alterations to this product.

### CAUTION

- Follow applicable laws regarding mobile phone and headphone use while driving.
- This product contains magnetic material. Consult your physician on whether this might affect your implantable medical device.
- Batteries (battery pack or batteries installed) shall not be exposed to excessive heat such as sunshine, fire or the like
- Batteries (battery pack or batteries installed) shall not be crushed or cut
- Batteries (battery pack or batteries installed) shall not be subjected to extremely low air pressure
- Risk of fire or explosion if the battery is replaced by an incorrect type

### CAUTION

- Never disassemble or modify the device, as failures may result.
- Do not subject to extreme force and do not pull on the cable or failures may result.
- Keep the product dry and avoid exposure to extreme temperatures and humidity.

### WARNING

- If water or other foreign objects enter the inside of the device, fire or electric shock may result.
- Do not attempt to modify this product. Doing so could result in personal injury and/or product failure.

**Note:** Battery replacement to be performed only by Shure authorized service personnel.

Changes or modifications not expressly approved by the party responsible for compliance could void the user's authority to operate the equipment.

**Note:** Testing is based on the use of supplied and recommended cable types. The use of other than shielded (screened) cable types may degrade EMC performance.

# Certifications

Visit <http://www.shure.com/earphones> for the latest regulatory and compliance information.

**Note:** Testing is based on the use of supplied and recommended cable types. The use of other than shielded (screened) cable types may degrade EMC performance.

This product meets the Essential Requirements of all relevant European directives and is eligible for CE marking.

## 低功率射頻器材技術規範

取得審驗證明之低功率射頻器材，非經核准，公司、商號或使用者均不得擅自變更頻率、加大功率或變更原設計之特性及功能。低功率射頻器材之使用不得影響飛航安全及干擾合法通信；經發現有干擾現象時，應立即停用，並改善至無干擾時方得繼續使用。前述合法通信，指依電信管理法規定作業之無線電通信。低功率射頻器材須忍受合法通信或工業、科學及醫療用電波輻射性電機設備之干擾。

**CE Notice:** Hereby, Shure Incorporated declares that this product with CE Marking has been determined to be in compliance with European Union requirements. The full text of the EU declaration of conformity is available at the following site: <https://www.shure.com/en-EU/support/declarations-of-conformity>.

Authorized European representative:

Shure Europe GmbH  
 Department: Global Compliance  
 Jakob-Dieffenbacher-Str. 12  
 75031 Eppingen, Germany  
 Phone: +49-7262-92 49 0  
 Fax: +49-7262-92 49 11 4  
 Email: EMEAsupport@shure.de

# LIMITED WARRANTY

Shure Incorporated ("Shure") hereby warrants to the original consumer purchaser only that, except as otherwise specified below, this product will be free in normal use of any defects in materials and workmanship for a period of two (2) years from the consumer's original date of purchase directly from Shure or from a Shure-authorized reseller.

Any rechargeable batteries contained in or packaged with this product are so warranted for a period of one (1) year from the consumer's original date of purchase. However, rechargeable batteries are consumable and their capacity will be reduced over time based on temperature, amount of time in storage, charging cycles, and other factors; hence reduction in battery capacity does not constitute a defect in material or workmanship.

At its sole option, Shure will repair or replace the defective product and promptly return it to you. In order for this warranty to be valid, the consumer must, at the time the product is returned, provide proof of purchase in the form of the original purchase receipt directly from Shure or from a Shure-authorized reseller. If Shure elects to replace the defective product, then Shure reserves the right to replace the defective product with another product of the same model or a model of at least comparable quality and features in Shure's sole determination.

If you believe this product is defective within the warranty period, carefully repack the unit, insure it and return it with proof of purchase, postage prepaid, to Shure Incorporated, Attention: Service Department, at the address below.

Outside of the United States, return the product to your dealer or Authorized Service Center. Addresses are listed on [www.Shure.com](http://www.Shure.com) or can be obtained by contacting Shure at the address listed below.

---

This warranty is not transferable. This warranty does not apply in cases of abuse or misuse of the product, use contrary to Shure's instruction, ordinary wear and tear, an act of God, negligent use, purchase from a party other than Shure or a Shure-authorized reseller, unauthorized repair, or modification of the product.

ALL IMPLIED WARRANTIES OF MERCHANTABILITY OR FITNESS FOR A PARTICULAR PURPOSE ARE HEREBY DISCLAIMED TO THE EXTENT PERMITTED UNDER APPLICABLE LAWS AND, TO THE EXTENT NOT PERMITTED, ARE HEREBY LIMITED TO THE DURATION AND TERMS OF THIS WARRANTY. SHURE ALSO HEREBY DISCLAIMS ALL LIABILITY FOR INCIDENTAL, SPECIAL, OR CONSEQUENTIAL DAMAGES.

Some states do not allow limitations on how long an implied warranty lasts, or the exclusion or limitation of incidental or consequential damages, so the above limitation may not apply to you. This warranty gives you specific legal rights, and you may have other rights which vary from state to state.

This warranty does not restrict the rights of the consumer mandated under applicable laws.

THIS WARRANTY SUPERSEDES ALL OTHER WARRANTIES THAT ARE ASSOCIATED OR INCLUDED WITH THIS PRODUCT, EXCEPT THAT ANY SOFTWARE CONTAINED IN OR PACKAGED WITH THIS PRODUCT IS EXCLUDED FROM THIS WARRANTY AND INSTEAD SHALL BE COVERED BY THE WARRANTY, IF ANY, PROVIDED IN SHURE'S END USER LICENSE AGREEMENT ACCOMPANYING SUCH SOFTWARE.