

VIVA-715D

ACTIVE TWO-WAY SPEAKER



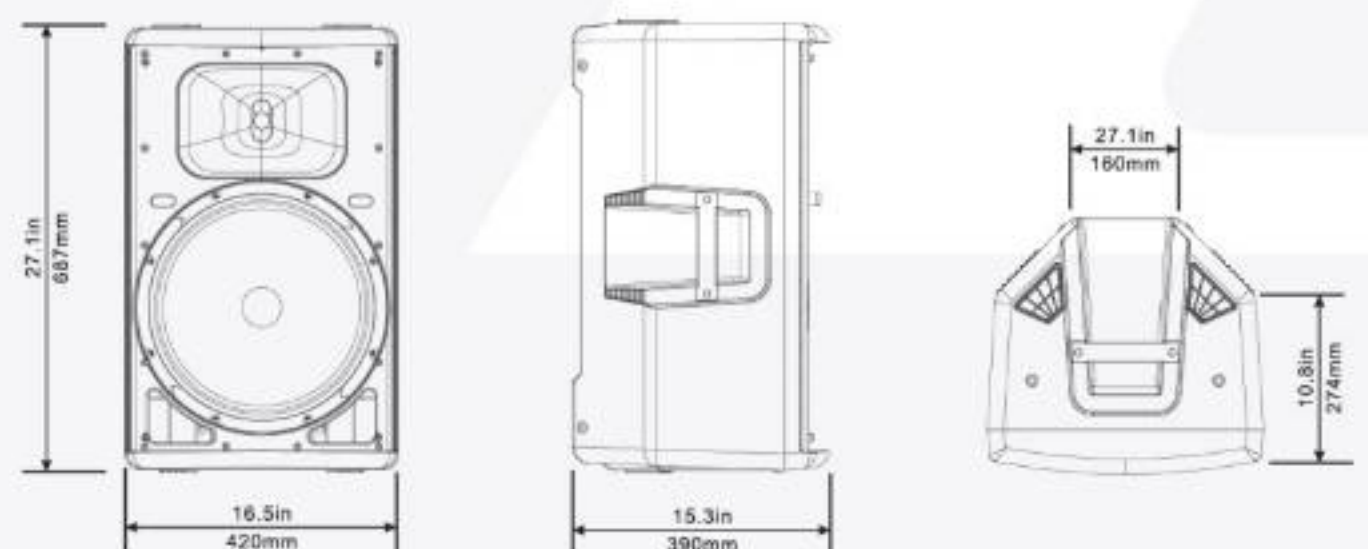
DESCRIPTION

VIVA-715D is a unique product in its category. The professional compression driver with custom designed dome and high power voice coil offers unique vocal clarity and constant sound coverage. The 15" woofer offers an extremely linear response and a precise low frequency control. The transducers are produced using the most advanced assembly technologies. The two channel amplifier delivers 1400 watts and is controlled by a DSP that takes care of crossover, equalization, phase control, soft limiting and transducers protection.

FEATURES

- 136 dB Max SPL
- Two Channel Amplifier of 1400 WATT
- Innovative DSP Processing
- 1" Compression Driver, 1.50" v.c.
- 15" Woofer, 3" v.c.
- 90°x60°, wide dispersion constant directivity horn
- 6 Preset

FiR LINEAR PHASE Technology



TECHNICAL SPECIFICATIONS

Acoustical specifications

Frequency Response:	45 Hz - 20000 Hz
Max SPL @ 1m:	136 dB
Horizontal coverage angle:	90°
Vertical coverage angle:	60°

Transducers

Compression Driver:	1.0", 1.50" v.c
Woofers:	15", 3" v.c

Input/Output section

Input signal:	Balance/Unbalance
Input connectors:	XLR, Jack
Output connectors:	XLR
Input sensitivity:	-2 dBu/+4 dBu

Processor section

Mic. Input Sensitivity:	-32 dBu
Crossover Frequencies:	1800 Hz
Protections:	Thermal, RMS
Limiter:	Soft Limiter
Controls:	Volume, Boost, Mic/Line

Power section

Total Power:	1400 W Peak, 700 W RMS
High frequencies:	200 W Peak, 100 W RMS
Low frequencies:	1200 W Peak, 600 W RMS
Cooling:	Convection
Connections:	VDE

Standard compliance

CE marking:	Yes
-------------	-----

Physical specifications

Cabinet/Case Material:	PP Composite
Hardware:	2 x M10
Handles:	1 Top, 2 Side
Pole mount/Cap:	Yes
Grille:	Steel
Color:	Black

Size

Height:	687 mm / 27.1 inches
Width:	420 mm / 16.5 inches
Depth:	390 mm / 15.3 inches
Weight:	20 kg / 44.09 lbs